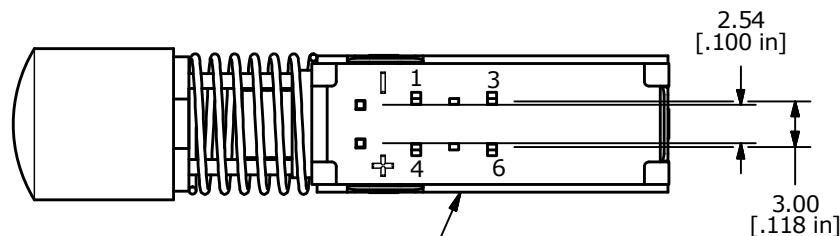
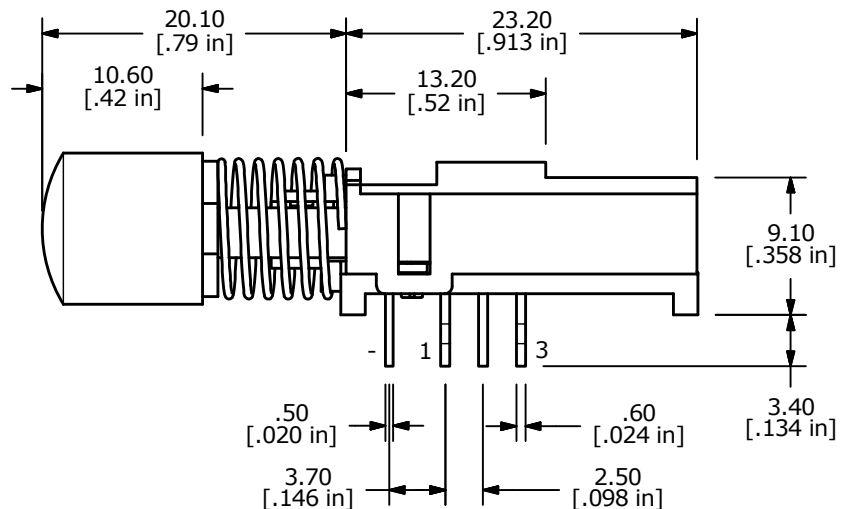
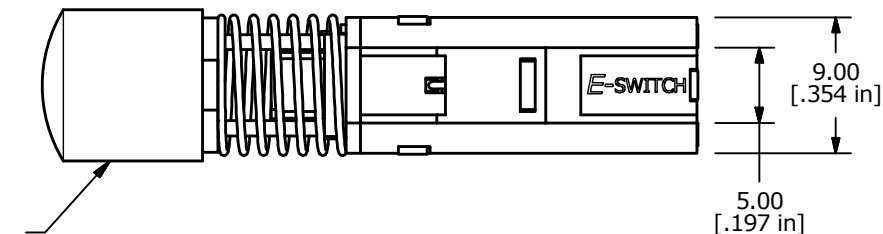
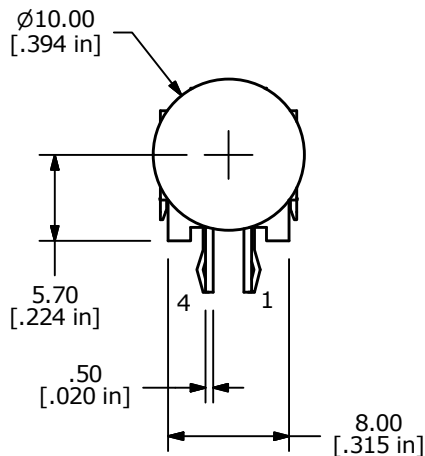
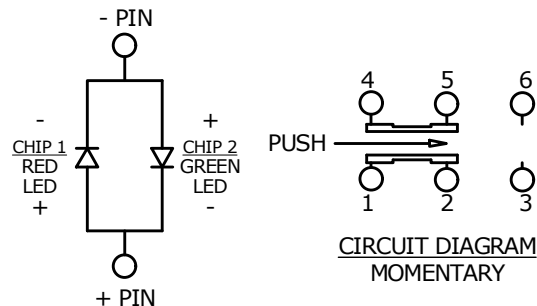


▲ R05 BUTTON  
TRANSPARENT (B410000)  
ILLUMINATED: RED / GREEN



▲ WBL2UEERGQ  
(B400005)

- NOTES:
1. ALL DIMENSIONS IN MM [INCH]
  2. GENERAL TOLERANCE: x.x = ± 0.4mm  
x.xx = ± 0.25mm
  3. RATING: DC 30V, 0.3A
  4. OPERATING FORCE: 200 ± 100gf
  5. TRAVEL: 3.3mm FULL TRAVEL
  6. LIFE CYCLES: 10,000 CYCLES
  7. OPERATING TEMPERATURE: -40°C to 85°C
  8. CONTACT RESISTANCE: 20mΩ MAX.
  9. INSULATION RESISTANCE: 100MΩ MIN@ 500VDC
  - ▲ 10. LED COLOR: RED / GREEN
  11. ▲ DENOTES CRITICAL PARAMETER.
  12. 2011/65/EU (RoHS) COMPLIANT.

LED SPECS	UNITS	RED	GREEN
FORWARD CURRENT	mA	20	20
FORWARD VOLTAGE @ 20mA	V	1.95 Typ-2.5 Max	2.1 Typ - 2.5 Max
LUMINOUS INTENSITY @ 20mA	MCD	600 typ.	160 typ.



TITLE WBL2UOARGQR05CLR

A	22968	Release For Production	8/30/17	MW
REV	PCR NO	DESCRIPTION	DATE	BY

SCALE	DATE	DR	DWG	REV
2:1	8/23/2017	MW	B400020	A

THE INFORMATION CONTAINED IN THIS DOCUMENT IS PROPRIETARY TO E-SWITCH AND IS NOT TO BE COPIED OR TRANSFERRED